

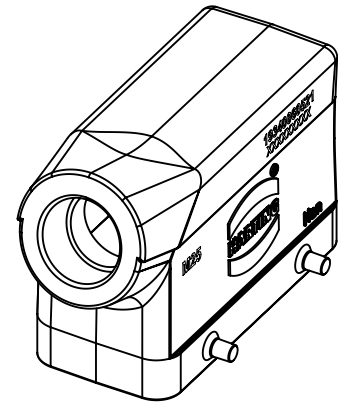
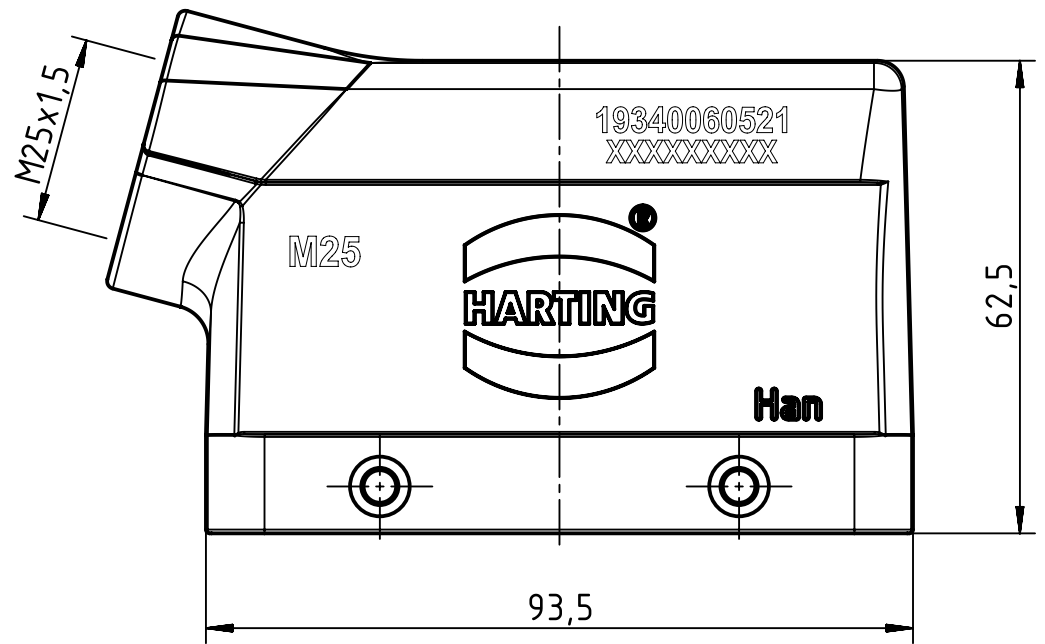
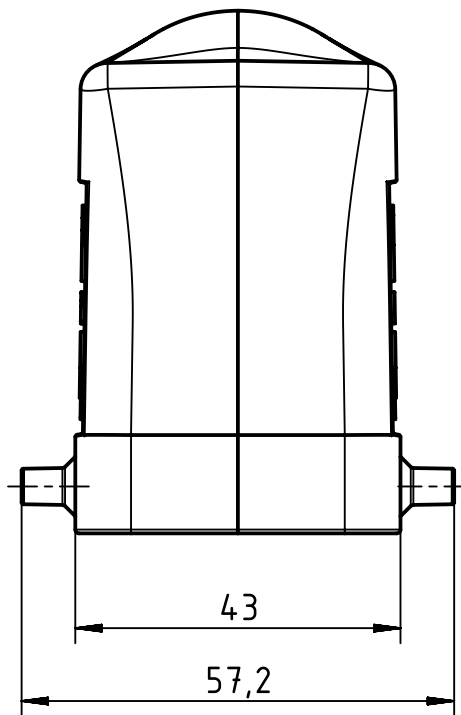
1 2 3 4 5 6


A

B

C

D



	All rights reserved Department EL PD	All Dimensions in mm Original Size DIN A4		Scale 1:1	Free size tol.	Ref. Sub.
		Created by SPRENB	Inspected by GERB	Standardisation RUETERA	Date 2020-01-06	State Final Release
HARTING Electric GmbH & Co. KG D-32339 Espelkamp		Title Han 6HvE-gs-M25			Doc-Key / ECM-Nr. 100091511/UGD/005/D 500000163000	
		Type TB	Number 19 34 006 0521		Rev. D	Page 1/1